

ECHOTEL® 910

Installation and Operating Manual



Ultrasonic

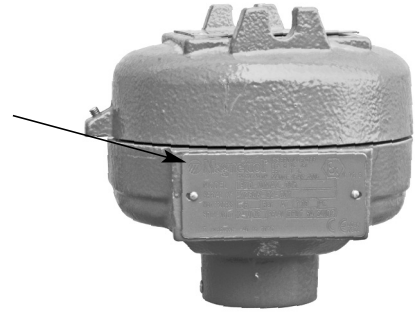
Level

Switch

UNPACKING

Unpack the instrument carefully. Make sure all components have been removed from the foam protection. Inspect all components for damage. Report any concealed damage to the carrier within 24 hours. Check the contents of the carton/crates against the packing slip and report any discrepancies to Magnetrol. Check the nameplate model number to be sure it agrees with the packing slip and purchase order. Check and record the serial number for future reference when ordering parts.

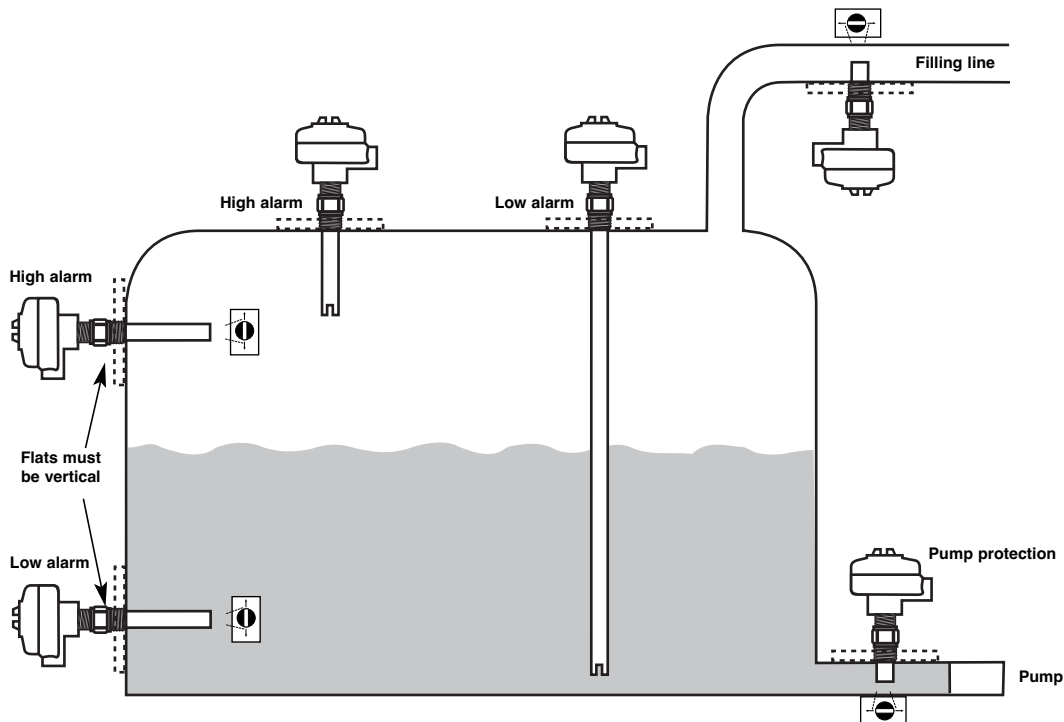
Model and serial number



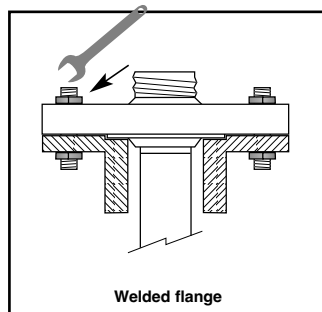
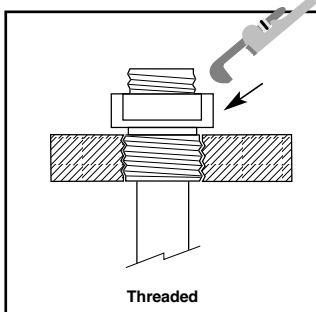
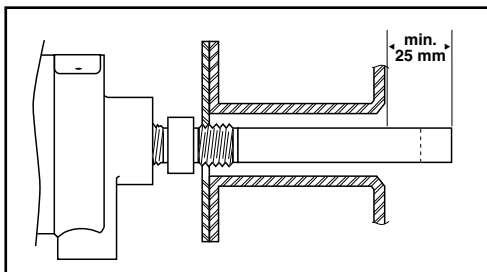
These units are in conformity with the provisions of:

1. The EMC Directive: 2014/30/EU.
2. Directive 2014/34/EU for equipment or protective system intended for use in potentially explosive atmospheres. EC-type examination certificate number ISSEP11ATEX002X.

MOUNTING

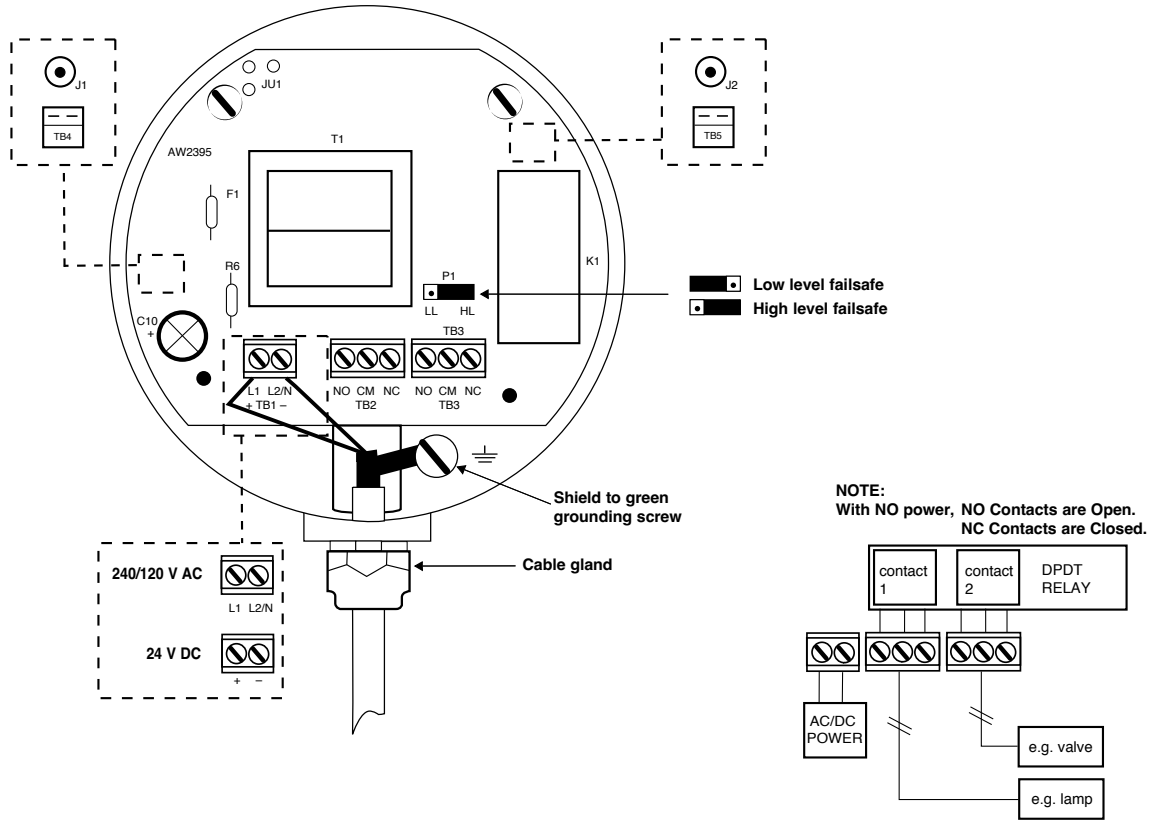


Nozzle mounting: gap must be free



WIRING

TRANSDUCER CONNECTIONS J1/J2 OR TB4/TB5



FAILSAFE – ALARM STATUS

Mode	Level	Relay	Alarm status
«Hi» High level failsafe		Energized	No alarm
		De-energized	Alarm
«Lo» Low level failsafe		Energized	No alarm
		De-energized	Alarm

SPECIFICATIONS

PERFORMANCE

Description	Specification
Response time	0,5 s typical
Repeatability	± 2 mm (0.078")
Ambient Temperature	-40 °C up to +70 °C (-40 °F up to +160 °F)
Humidity	0-99 %, non-condensing
Electromagnetic Compatibility	Meets CE requirements (EN 61326: 1997 + A1 + A2)

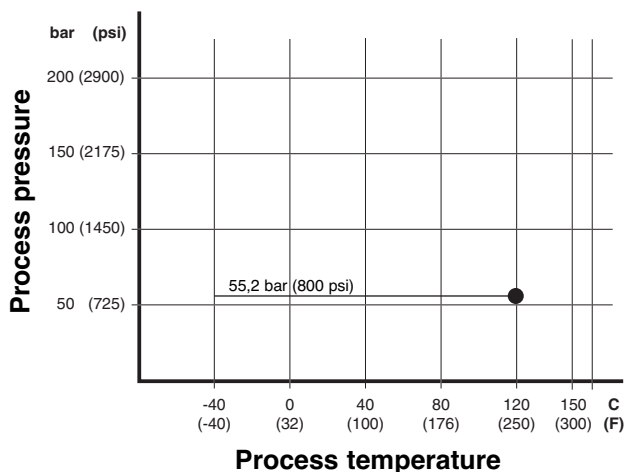
ELECTRONICS SPECIFICATIONS

Description	Specification	
Line Voltage (±10 %)	240/120 V AC, 50-60 Hz – 24 V DC	
Power consumption	2.5 VA Nominal	
Output Relay	Goldflash relay	DPDT, 8.0 A (resistive)
	Hermetically sealed relay	DPDT, 5.0 A (resistive)
Failsafe	Field selectable high or low level alarm	
Housing	IP 65, anti-corrosive painted cast aluminium	
Approvals	ATEX II 1/2 G Ex d+e/d IIC T6 Ga/Gb, flameproof enclosure Other approvals are available, consult factory for more details	

TRANSDUCER SPECIFICATIONS

Description	Specification
Material	316/316L SST (1.4401/1.4404)
Mounting	Threaded (NPT/BSP) – Flanged (ASME - EN)
Actuation length	From 3 cm up to 254 cm (1.2" up to 100.0")
Operating process temp.	-40 °C up to +120 °C (-40 °F up to +250 °F)
Max pressure	55,2 bar @ +120 °C (800 psi @ +250 °F) Flanged models are downrated to the design pressure of the selected flange

TEMPERATURE/PRESSURE RATING



MODEL IDENTIFICATION

A complete measuring system consists of:

1. One code for ECHOTEL® series 910 electronics and transducer
2. Optional: code for thread-on mounting flanges, consult factory for other sizes or materials

BASIC MODEL NUMBER

9 1 0	Echotel® 910, ultrasonic level switch with relay
-------	--

APPROVALS/ CABLE ENTRY / HOUSING MATERIALS

A	Weatherproof –	3/4" NPT	dual cable entry, anti-corrosive coated aluminium
V	ATEX flameproof enclosure –	3/4" NPT	dual cable entry, anti-corrosive coated aluminium
W	ATEX flameproof enclosure –	M20 x 1,5	dual cable entry, anti-corrosive coated aluminium

PROCESS CONNECTION - SIZE/TYPE

Threaded

M A	3/4" NPT
M 2	1" NPT
M 9	1" BSP (G 1")

ASME Flanges

M 1	1"	150 lbs	ASME RF
M E	1"	300 lbs	ASME RF
M H	1"	600 lbs	ASME RF
M C	1 1/2"	150 lbs	ASME RF
M F	1 1/2"	300 lbs	ASME RF
M D	2"	150 lbs	ASME RF
M G	2"	300 lbs	ASME RF
M J	2"	600 lbs	ASME RF

EN Flanges

M R	DN 25	PN 16/25/40	EN 1092-1 Type A
M X	DN 25	PN 63/100	EN 1092-1 Type B2
M S	DN 40	PN 16/25/40	EN 1092-1 Type A
M Y	DN 40	PN 63/100	EN 1092-1 Type B2
M M	DN 50	PN 16	EN 1092-1 Type A
M T	DN 50	PN 25/40	EN 1092-1 Type A
M W	DN 50	PN 63	EN 1092-1 Type B2
M Z	DN 50	PN 100	EN 1092-1 Type B2

INPUT POWER / RELAY OUTPUT

1	240 V AC/8 A DPDT goldflash relay
2	24 V DC/8 A DPDT goldflash relay
0	120 V AC/8 A DPDT goldflash relay
J	240 V AC/5 A DPDT herm. sealed relay
K	24 V DC/5 A DPDT herm. sealed relay
H	120 V AC/5 A DPDT herm. sealed relay

ACTUATION LENGTH – Specify per cm (0.39") increment
Total insertion length = actuation length + 6 mm (0.25")

0 0 3	Minimum 3 cm (1.2") – for NPT connections
0 0 5	Minimum 5 cm (2.0") – for all other connections
2 5 4	Maximum 254 cm (100.0")

9	1	0	M			
---	---	---	---	--	--	--

complete code for Echotel® 910

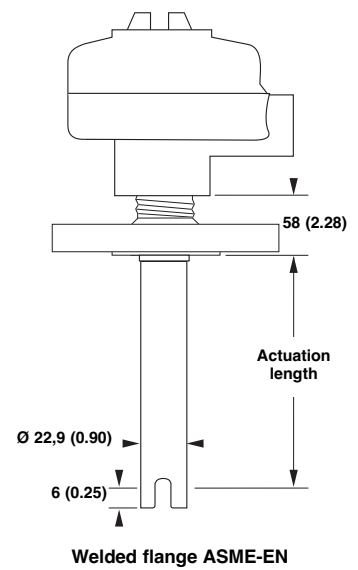
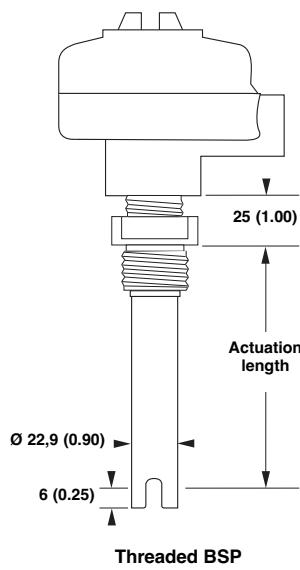
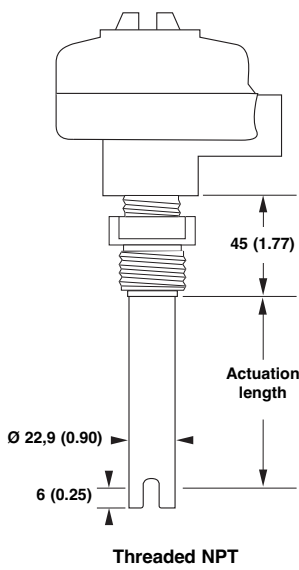
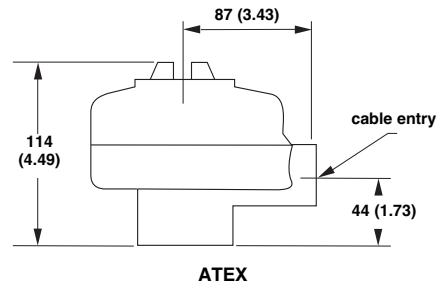
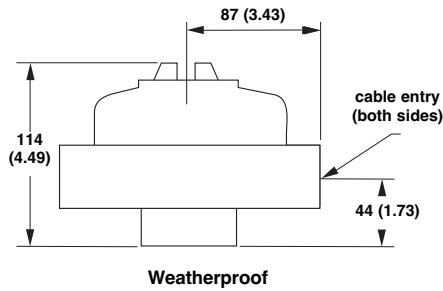
→ X = product with a specific customer requirement

Optional transducer mounting flanges

Thread-on mounting flanges can only be used in combination with 3/4" NPT process connection transducer.

ASME B16.5 flanges		Part No.	
		Carbon steel	316/316L SST
1"	150 lbs RF	004-5867-041	004-5867-043
1 1/2"	150 lbs RF	004-5867-021	004-5867-001
2"	150 lbs RF	004-5867-022	004-5867-002
3"	150 lbs RF	004-5867-023	004-5867-003
4"	150 lbs RF	004-5867-024	004-5867-004
6"	150 lbs RF	004-5867-025	004-5867-005
1"	300 lbs RF	004-5867-042	004-5867-044
1 1/2"	300 lbs RF	004-5867-026	004-5867-006
2"	300 lbs RF	004-5867-027	004-5867-007
3"	300 lbs RF	004-5867-028	004-5867-008
4"	300 lbs RF	004-5867-029	004-5867-009
6"	300 lbs RF	004-5867-030	004-5867-010
1"	600 lbs RF	004-5867-051	004-5867-050
1 1/2"	600 lbs RF	004-5867-046	004-5867-045
2"	600 lbs RF	004-5867-049	004-5867-048

DIMENSIONS IN mm (inches)



REPLACEMENT PARTS

Partn°: - -

Serial n°: - -

Digit in partn°: X 1 2 3 - 4 5 6 7 - 8 9 10

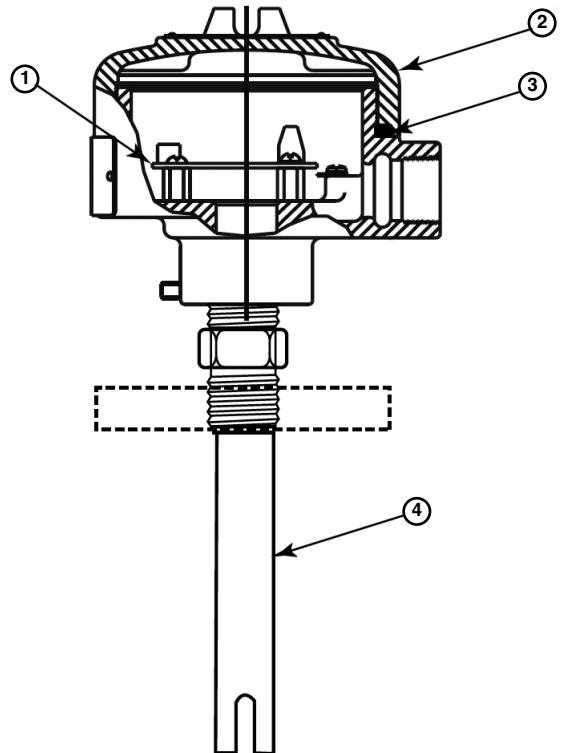
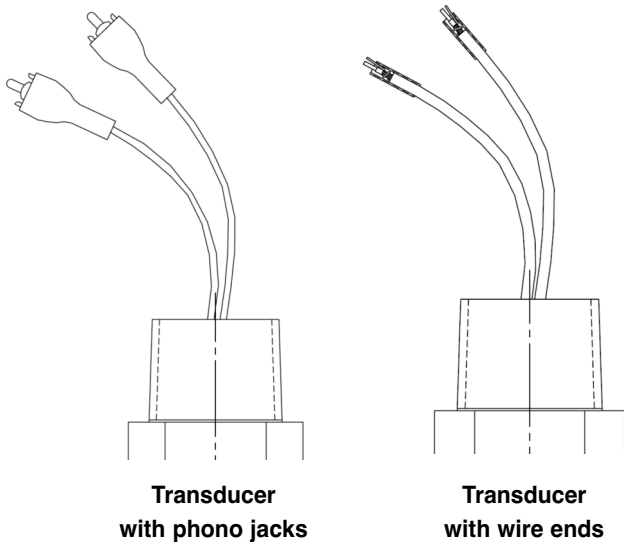
See nameplate, always provide complete partn° and serial n° when ordering spares.

↳ X = product with a specific customer requirement

EXPEDITE SHIP PLAN (ESP)

Several parts are available for quick shipment, within max. 1 week after factory receipt of purchase order, through the Expedite Ship Plan (ESP).

Parts covered by ESP service are conveniently grey coded in the selection tables.



(1) PC board with phono jacks J1 & J2	
Digit 7	Replacement part
0	Z30-2043-003
1	Z30-2043-004
2	Z30-2043-002
H	Z30-2043-011
J	Z30-2043-012
K	Z30-2043-010

(2) Housing cover	
Digit 4	Replacement part
A	004-9105-001
V, W	004-9105-005

	Replacement part
(3) "O"-ring	012-2101-345
(4) Transducer	consult factory

(1) PC board with terminal blocks TB4 & TB5	
Digit 7	Replacement part
0	Z30-2086-003
1	Z30-2086-004
2	Z30-2086-002
H	Z30-2086-011
J	Z30-2086-012
K	Z30-2086-010

IMPORTANT

SERVICE POLICY

Owners of Magnetrol products may request the return of a control; or, any part of a control for complete rebuilding or replacement. They will be rebuilt or replaced promptly. Magnetrol International will repair or replace the control, at no cost to the purchaser, (or owner) **other than transportation cost** if:

- a. Returned within the warranty period; and,
- b. The factory inspection finds the cause of the malfunction to be defective material or workmanship.

If the trouble is the result of conditions beyond our control; or, is **NOT** covered by the warranty, there will be charges for labour and the parts required to rebuild or replace the equipment.

In some cases, it may be expedient to ship replacement parts; or, in extreme cases a complete new control, to replace the original equipment before it is returned. If this is desired, notify the factory of both the model and serial numbers of the control to be replaced. In such cases, credit for the materials returned, will be determined on the basis of the applicability of our warranty.

No claims for misapplication, labour, direct or consequential damage will be allowed.

RETURNED MATERIAL PROCEDURE

So that we may efficiently process any materials that are returned, it is essential that a "Return Material Authorisation" (RMA) form will be obtained from the factory. It is mandatory that this form will be attached to each material returned. This form is available through Magnetrol's local representative or by contacting the factory. Please supply the following information:

1. Purchaser Name
2. Description of Material
3. Serial Number and Ref Number
4. Desired Action
5. Reason for Return
6. Process details

Any unit that was used in a process must be properly cleaned in accordance with the proper health and safety standards applicable by the owner, before it is returned to the factory.

A material Safety Data Sheet (MSDS) must be attached at the outside of the transport crate or box.

All shipments returned to the factory must be by prepaid transportation. Magnetrol **will not accept** collect shipments.

All replacements will be shipped Ex Works.

UNDER RESERVE OF MODIFICATIONS

BULLETIN N°: BE 51-604.23
EFFECTIVE: AUGUST 2021
SUPERSEDES: August 2017

European Headquarters & Manufacturing Facility

Heikensstraat 6
9240 Zele, Belgium
Tel: +32-(0)52-45.11.11
e-mail: info@magnetrol.be

www.magnetrol.com



MAGNETROL®

AMETEK®
SENSORS, TEST & CALIBRATION